

Thin Nyloc Nut

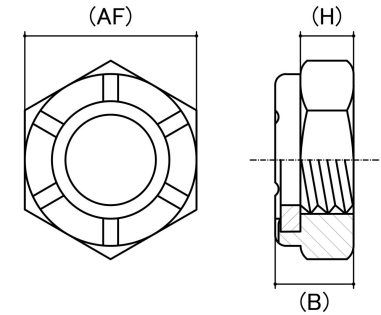
Thread Type: UNF - Fine

Thread Direction: Right Hand

Material: Stainless Steel

Class Grade: A2-70 G304

Corrosion Protection Level: Excellent



*CAD drawings shown for graphic representation only.**

| Size | Thread Pitch (TPI) | Thread Type | Overall Nut Height (B) (mm) | | Hex Height (H) (mm) | Across Flats (AF) (mm) | | Spanner Size (AF) (inches) | sku (qfind) |
|------|--------------------|-------------|-----------------------------|------|---------------------|------------------------|-------|----------------------------|-------------|
| | | | Min | Max | Nom | Min | Max | | |
| 3/8" | 24 | Fine | 6.35 | 7.15 | 4.50 | 14.00 | 14.28 | 9/16 | 41NSLF38 |
| 1/2" | 20 | Fine | 7.55 | 8.35 | 5.42 | 18.70 | 19.05 | 3/4 | 41NSLF12 |

Disclaimer:

Dimensional data and technical information was obtained from publically available sources and not acquired through standard agencies. It has been completed and compiled for reference purposes only; where discrepancies are found they are subject to change without notice. Bolt & Nut Australia makes no warranties or representations regarding the accuracy and validity of the compiled information and data. Contact the relevant standard authorities for accurate and detailed information.

* CAD drawings may not reflect diameter, thread length or overall length.

© Bolt & Nut Australia Pty Ltd. All rights reserved.

Version: 18 Mar 2024